

# ACP (Automatic Case Positioner)

**EMERALD**  
AUTOMATION

**International Automation & Innovation**



## FEATURES

- ◆ Vertical & horizontal case orientation
- ◆ Speeds up to 10 cases/min (12 with Servo)
- ◆ Ethernet communications
- ◆ Allen Bradley PLC Controls
- ◆ Air & vacuum saver system
- ◆ “Tool-less” Changeover

## CONSTRUCTION

- ◆ Heavy-duty frame & manufactured parts
- ◆ Powder coating finish
- ◆ UL 508A Listed Enclosure
- ◆ OSHA approved safety design

## OPTIONS

- ◆ Low Pressure Wash-Down Option
- ◆ Quick-disconnect field devices

The **Automatic Case Positioner (ACP)** places erected, bottom sealed cases on a vertical load station. It is a fully automatic case positioner that is easily integrated with various case packers. The **ACP** is easy to operate and requires little to no adjustment when changing over to different case sizes.

**Emerald Automation** integrates a diverse yet practical approach to machinery design to provide rugged construction complemented with state-of-the-art technologies. Whether it's developing a machine to supply a new market, or rebuilding existing machines with new technology, we will work to provide our customers with solutions that meet their individual needs.

[www.emeraldautomation.com](http://www.emeraldautomation.com)

## Emerald Automation

9228 W Clearwater Drive  
Kennewick, WA 99336

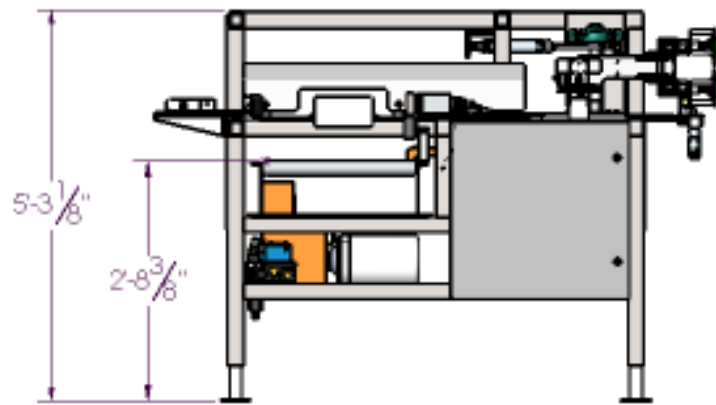
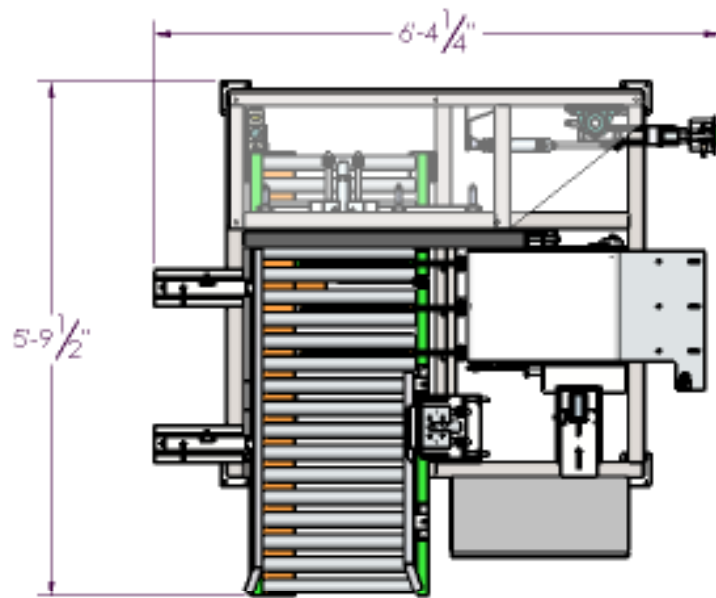
Phone:

509.783.1369

Email:

[sales@emeraldautomation.com](mailto:sales@emeraldautomation.com)

# ACP



## MISSION STATEMENT

Emerald Automation aspires to provide uncompromised products for today's most demanding packaging and automation for local, domestic and international manufacturers and processors. We have an unrivaled approach to turning concepts into innovative solutions - whether it is for an entire system, a single machine or just a bottleneck in the production line. We deliver exceptional results by using simple, efficient and cost effective methods that are client focused.

**Emerald Automation**

9228 W Clearwater Drive  
Kennewick, WA 99336

Phone: 509.783.1369

Email: [sales@emeraldautomation.com](mailto:sales@emeraldautomation.com)

**EMERALD**  
AUTOMATION