

# Gantry Tier Sheet Dispenser

**EMERALD**  
AUTOMATION

**International Automation & Innovation**



The **Gantry Tier Sheet Dispenser** is a High-Level Tier Sheet Pick & Place Equipment. Slip sheets are loaded into a bin. An electrically-driven gantry actuates to the pick point. A series of vacuum cups grab a single sheet. The gantry then moves to the drop point, the vacuum releases, and the slip sheet is placed into position. The number of slip sheets per minute varies with the distance required to move those sheets. Call for an estimate.

**Emerald Automation** integrates a diverse yet practical approach to machinery design to provide rugged construction complemented with state-of-the-art technologies. Whether it's developing a machine to supply a new market, or rebuilding existing machines with new technology, we will work to provide our customers with solutions that meet their individual needs.

[www.emeraldautomation.com](http://www.emeraldautomation.com)

## FEATURES

- ◆ Allen Bradley PLC controls
- ◆ HMI interface
- ◆ Includes Tier Sheet Bin
- ◆ Gantry Transfer Carriage
- ◆ Easily integrates into an existing palletizing system
- ◆ "Tool-less" Changeover

## CONSTRUCTION

- ◆ Heavy-duty frame & manufactured parts
- ◆ Powder coating finish
- ◆ UL 508A Listed enclosure
- ◆ OSHA approved safety design

## OPTIONS

- ◆ Quick-disconnect field devices
- ◆ Stainless Steel packages

## Emerald Automation

9228 W Clearwater Drive  
Kennewick, WA 99336

Phone:

509.783.1369

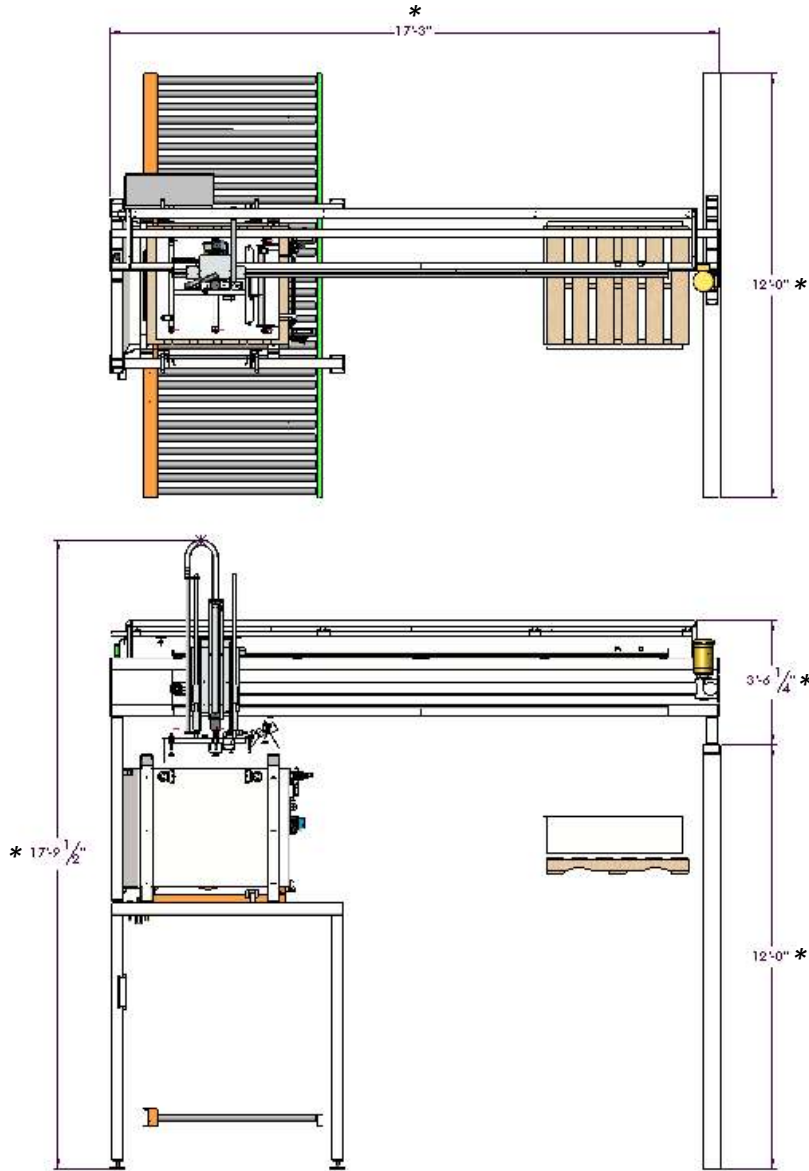
Email:

[sales@emeraldautomation.com](mailto:sales@emeraldautomation.com)

# Gantry Tier Sheet

[www.emeraldautomation.com](http://www.emeraldautomation.com)

## Dispenser



\* Dimensions shown represent an existing Gantry System. These dimensions will vary according to customer requirements.

## MISSION STATEMENT

Emerald Automation aspires to provide uncompromised products for today's most demanding packaging and automation for local, domestic and international manufacturers and processors. We have an unrivaled approach to turning concepts into innovative solutions - whether it is for an entire system, a single machine or just a bottleneck in the production line. We deliver exceptional results by using simple, efficient and cost effective methods that are client focused.

**Emerald Automation**

9228 W Clearwater Drive  
Kennewick, WA 99336

Phone: 509.783.1369

Email: [sales@emeraldautomation.com](mailto:sales@emeraldautomation.com)

**EMERALD**  
AUTOMATION