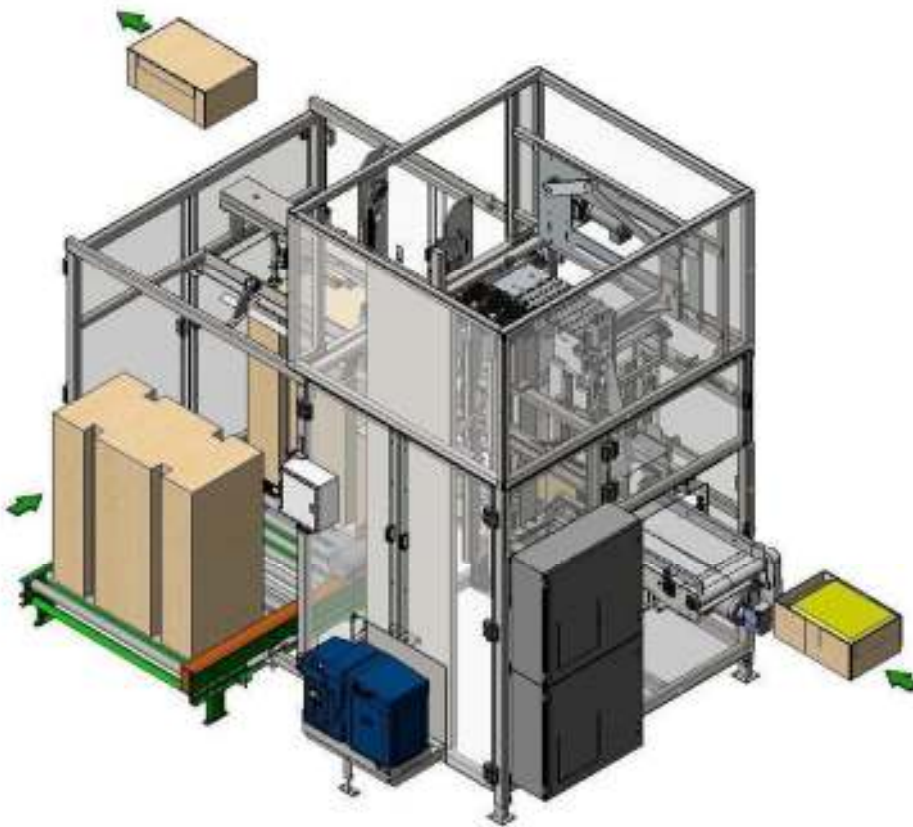


Tray Lidder

EMERALD
AUTOMATION

International Automation & Innovation



The **Tray Lidder** is a consistent and reliable case sealer. It is built for maximizing speed and compression time, but still easy to maintain. **Emerald Automation's Tray Lidders** are the most rugged in the industry.

Emerald Automation integrates a diverse yet practical approach to machinery design to provide rugged construction complemented with state-of-the-art technologies. Whether it's developing a machine to supply a new market, or rebuilding existing machines with new technology, we will work to provide our customers with solutions that meet their individual needs.

www.emeraldautomation.com

FEATURES

- ◆ Allen Bradley PLC controls
- ◆ Up to 22 cases/min
- ◆ Secure, horizontal glue beads
- ◆ Vertical compression
- ◆ Selectable discharge direction
- ◆ HMI for Setup/Alarming/Diagnostics
- ◆ Ethernet communications
- ◆ Gantry Transfer Carriage
- ◆ Easy to use operator interface with 'On-Board' help screens
- ◆ "Tool-less" Changeover

CONSTRUCTION

- ◆ Heavy-duty frame & mfg. parts
- ◆ Powder coating finish
- ◆ UL 508A Listed enclosure(s)
- ◆ Fork lift loading capability
- ◆ Nordson ProBlue Glue Applicator
- ◆ Easy access Lexan guarding
- ◆ OSHA approved safety design

OPTIONS

- ◆ 6' lid magazine
- ◆ Quick-disconnect field devices
- ◆ Stainless Steel packages available

Emerald Automation

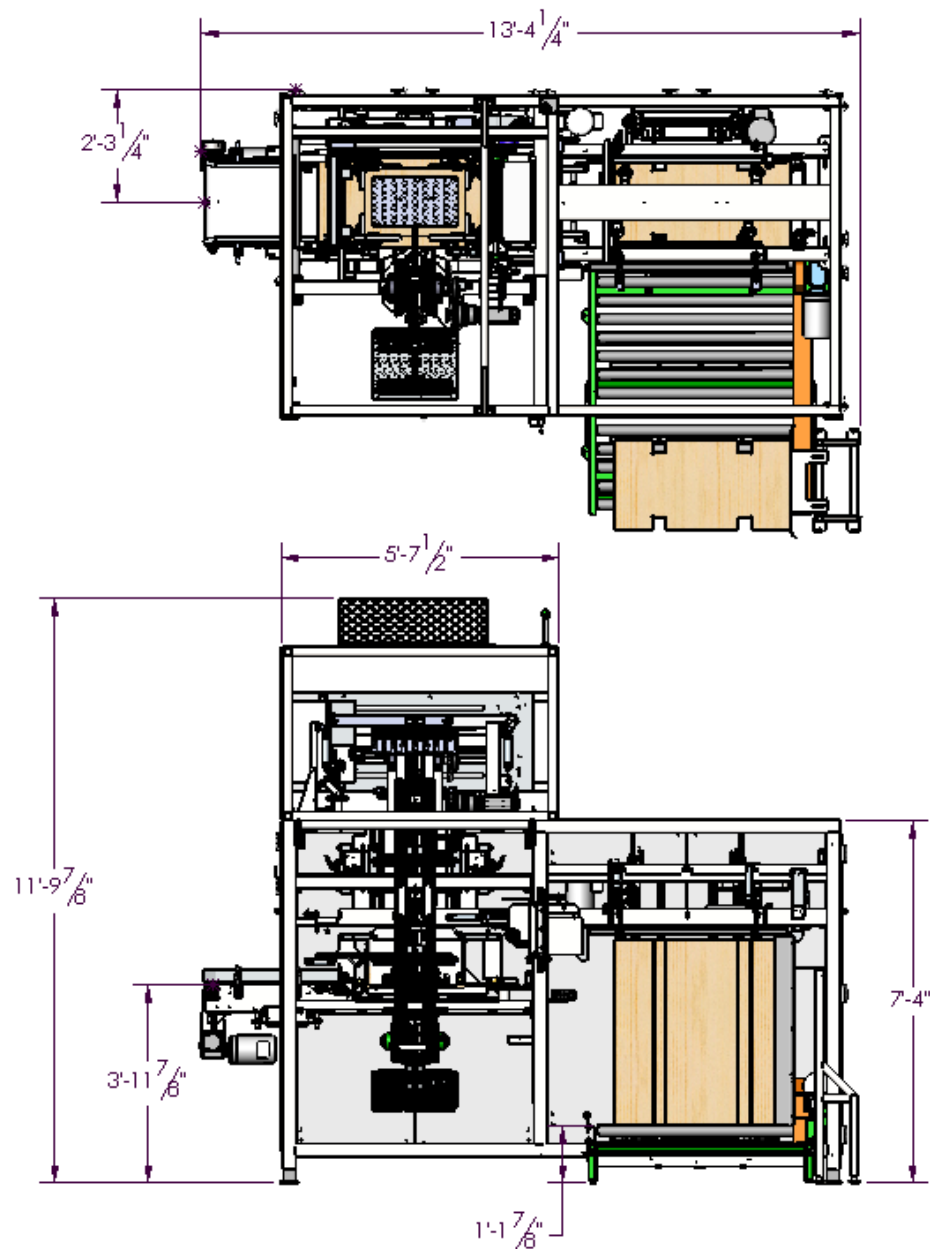
9228 W Clearwater Drive
Kennewick, WA 99336

Phone:

509.783.1369

Email:

sales@emeraldautomation.com



MISSION STATEMENT

Emerald Automation aspires to provide uncompromised products for today's most demanding packaging and automation for local, domestic and international manufacturers and processors. We have an unrivaled approach to turning concepts into innovative solutions - whether it is for an entire system, a single machine or just a bottleneck in the production line. We deliver exceptional results by using simple, efficient and cost effective methods that are client focused.

Emerald Automation

9228 W Clearwater Drive
Kennewick, WA 99336

Phone: 509.783.1369

Email: sales@emeraldautomation.com

EMERALD
AUTOMATION