

# Pallet Stacker

**EMERALD**  
AUTOMATION

**International Automation & Innovation**



The **Pallet Stacker** takes unloaded pallets and stacks them for future use. It centers the pallets by length and width to stack them safely. There is a light curtain in the entry area and Jam Detection for broken pallets.

**Emerald Automation** integrates a diverse yet practical approach to machinery design to provide rugged construction complemented with state-of-the-art technologies. Whether it's developing a machine to supply a new market, or rebuilding existing machines with new technology, we will work to provide our customers with solutions that meet their individual needs.

[www.emeraldautomation.com](http://www.emeraldautomation.com)

## FEATURES

- ◆ Handles pallets up to 36"-48" in width and up to 48" in length
- ◆ Unique centering capability, of length and width, for safety stacking
- ◆ Light curtain detection for entry area
- ◆ Jam detection for broken pallets
- ◆ Allen Bradley PLC controls
- ◆ "Tool-less" Changeover

## CONSTRUCTION

- ◆ Heavy-duty frame & manufactured parts
- ◆ Powder coating finish
- ◆ UL 508A Listed enclosure
- ◆ Easy-access Lexan guarding
- ◆ OSHA approved safety design

## OPTIONS

- ◆ Quick-disconnect field devices
- ◆ Stainless Steel packages available
- ◆ Wash-down options

## Emerald Automation

9228 W Clearwater Drive  
Kennewick, WA 99336

Phone:

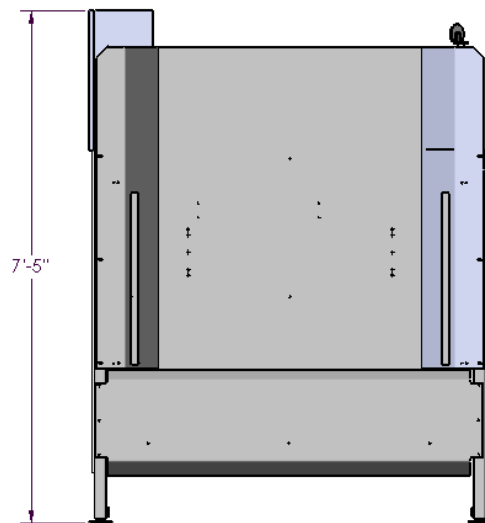
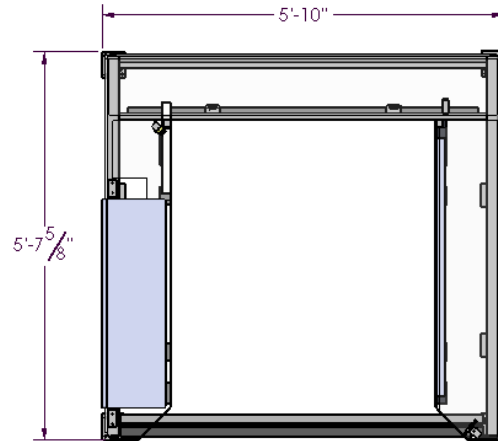
509.783.1369

Email:

[sales@emeraldautomation.com](mailto:sales@emeraldautomation.com)

# PALLET STACKER

[www.emeraldautomation.com](http://www.emeraldautomation.com)



## MISSION STATEMENT

Emerald Automation aspires to provide uncompromised products for today's most demanding packaging and automation for local, domestic and international manufacturers and processors. We have an unrivaled approach to turning concepts into innovative solutions - whether it is for an entire system, a single machine or just a bottleneck in the production line. We deliver exceptional results by using simple, efficient and cost effective methods that are client focused.

**Emerald Automation**

9228 W Clearwater Drive  
Kennewick, WA 99336

Phone: 509.783.1369

Email: [sales@emeraldautomation.com](mailto:sales@emeraldautomation.com)

**EMERALD**  
AUTOMATION