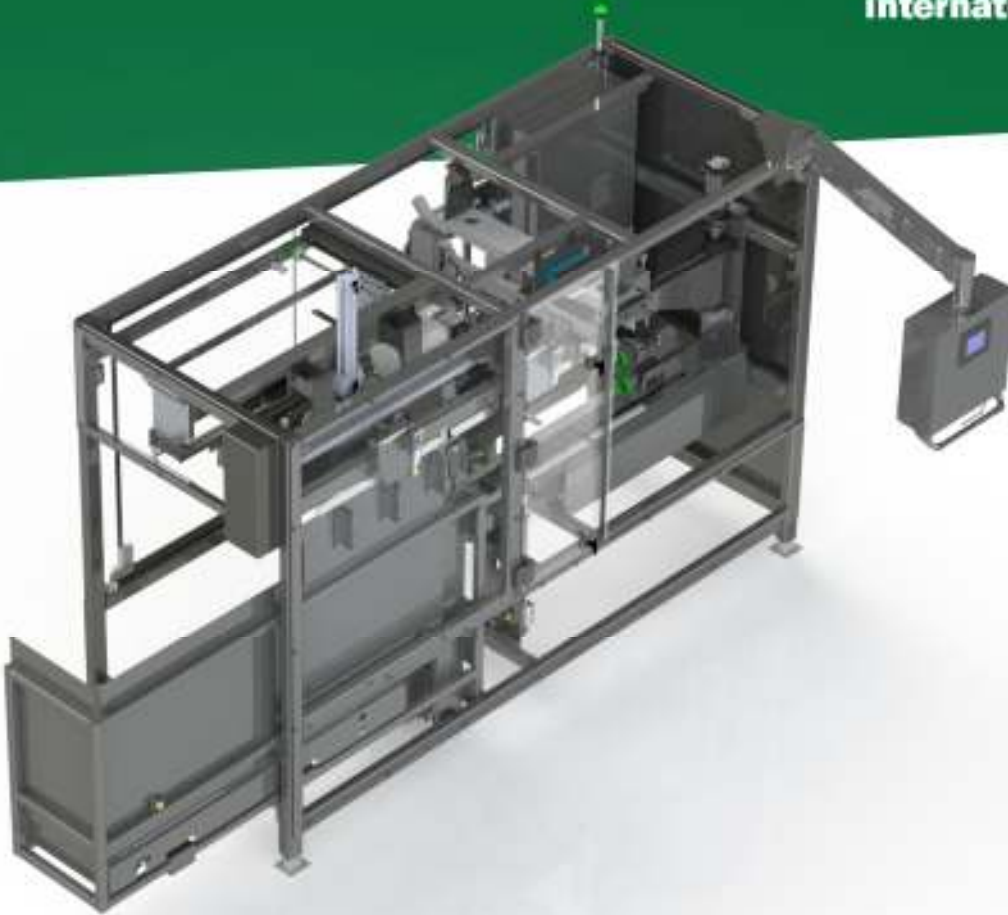


# S-COP (Servo-Driven Case Opener & Positioner)

**EMERALD**  
AUTOMATION

International Automation & Innovation



The **Servo-Driven Case Opener & Positioner (S-COP)** is designed and constructed to be rugged, reliable and as maintenance free as possible. The S-COP is easy to operate and requires little adjustments. Change over is simple and can be completed in as little as 3 minutes.

**Emerald Automation** integrates a diverse yet practical approach to machinery design to provide rugged construction complemented with state-of-the-art technologies. Whether it's developing a machine to supply a new market, or rebuilding existing machines with new technology, we will work to provide our customers with solutions that meet their individual needs.

[www.emeraldautomation.com](http://www.emeraldautomation.com)

## FEATURES

- ◆ Vertical & horizontal orientation
- ◆ Speeds up to 8 cases/min
- ◆ Ethernet communications
- ◆ Allen Bradley PLC Controls
- ◆ Air & vacuum saver system
- ◆ Split case pull & positioner arm
- ◆ Servo case positioner
- ◆ Easy load bundle magazine
- ◆ Top pick blank feed
- ◆ “Tool-less” Changeover

## CONSTRUCTION

- ◆ Heavy-duty frame & manufactured parts
- ◆ Powder coating finish
- ◆ UL 508A Listed Enclosure
- ◆ Easy-access Lexan guarding
- ◆ OSHA approved safety design

## OPTIONS

- ◆ Quick-disconnect field devices
- ◆ Low Pressure Wash-Down Option

## Emerald Automation

9228 W Clearwater Drive  
Kennewick, WA 99336

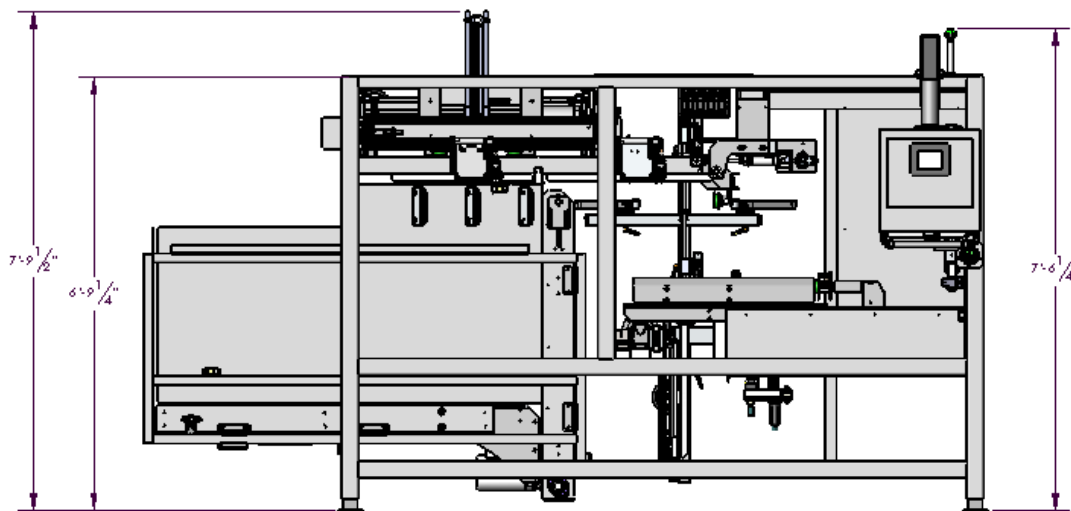
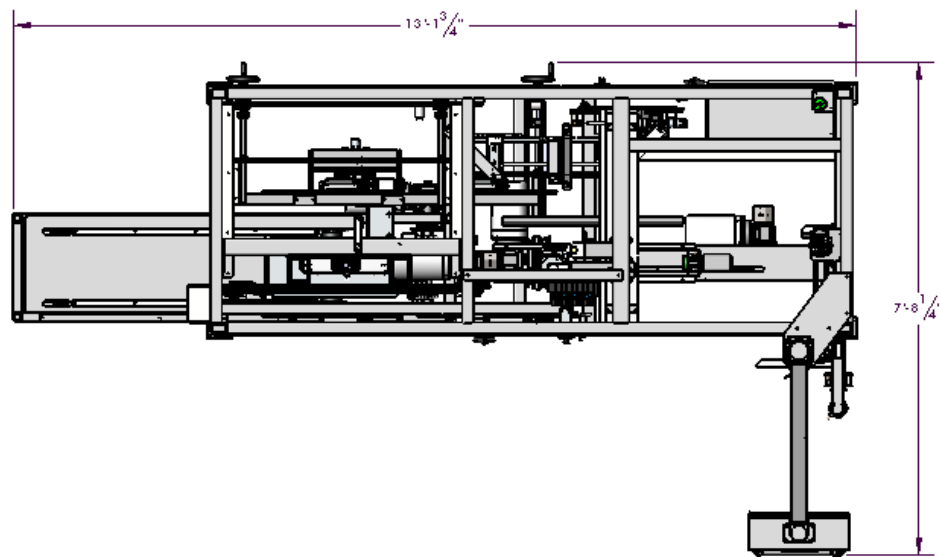
Phone:

509.783.1369

Email:

[sales@emeraldautomation.com](mailto:sales@emeraldautomation.com)

# S-COP



## MISSION STATEMENT

Emerald Automation aspires to provide uncompromised products for today's most demanding packaging and automation for local, domestic and international manufacturers and processors. We have an unrivaled approach to turning concepts into innovative solutions - whether it is for an entire system, a single machine or just a bottleneck in the production line. We deliver exceptional results by using simple, efficient and cost effective methods that are client focused.

**Emerald Automation**

9228 W Clearwater Drive  
Kennewick, WA 99336

Phone: 509.783.1369

Email: [sales@emeraldautomation.com](mailto:sales@emeraldautomation.com)

**EMERALD**  
AUTOMATION